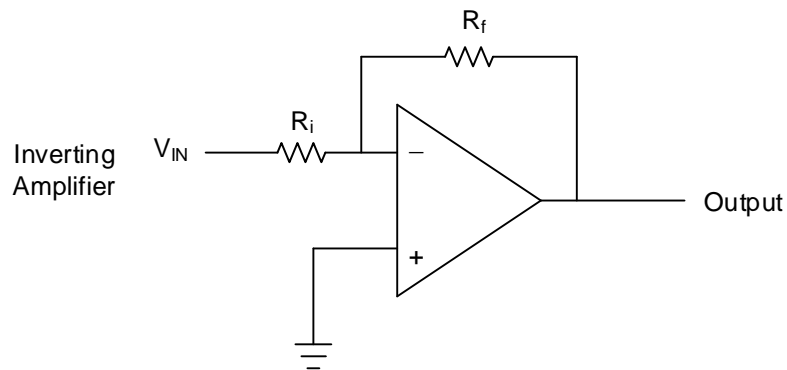
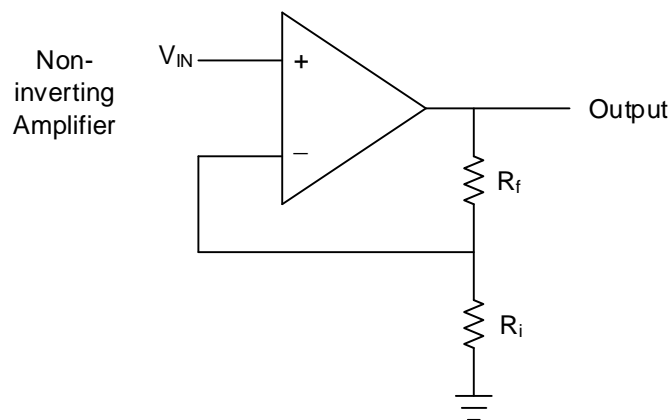
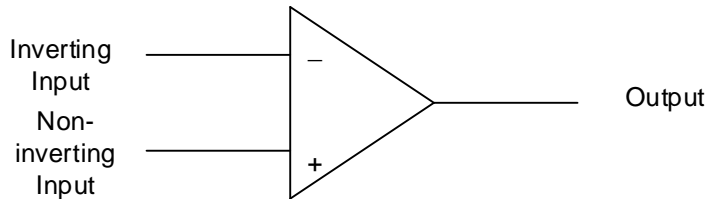


12 Semiconductors - Operational Amplifiers

If you are using a signal conditioner device, many times you are using an operational amplifier inside the box. Operational amplifiers are semiconductor devices with the following characteristics:



Equation for the non-inverting amplifier:

$$V_{out} = V_{in} \cdot \left(1 + \frac{R_f}{R_{in}}\right)$$

Equation for the non-inverting amplifier:

$$V_{out} = V_{in} \cdot \left(-\frac{R_f}{R_{in}}\right)$$

Problems:

1. A noninverting op-amp has the following characteristics:

$$R_i = 1.0 \text{ k}\Omega$$

$$R_F = 100 \text{ k}\Omega$$

Find V_{in} if $v_{out} = 5 \text{ V}$.

2. Use google or other search method to find other circuit types using op-amps:



This work is licensed under a Creative Commons Attribution 4.0 International License.